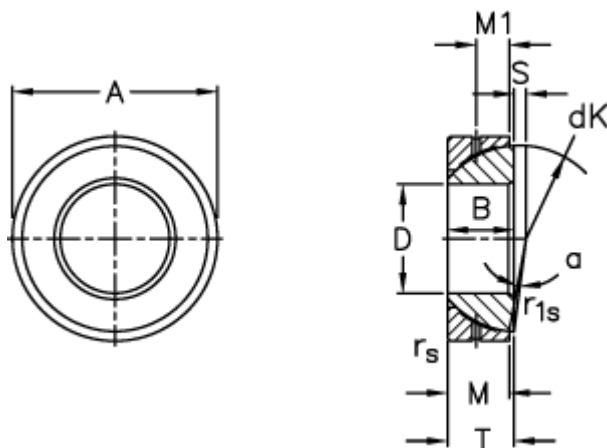


Article number: 03509040

Description: Fluro Rod end GE 40SX

Measures



A	= 68 0 -0,016	S	= 2.8
B	= 19	Static load C0 (kN)	= 450
D	= 40 0 -0,012	T	= 19 +0,25 -0,40
dK	= 62	Tilt angle	= 0.5
Dynamic load C (kN)	= 90	Weight	= 327
M	= 17		
M1	= 9.5		
rs, r1s min	= 1		